

SONY

Automatic screw feeder

FK-505 Series

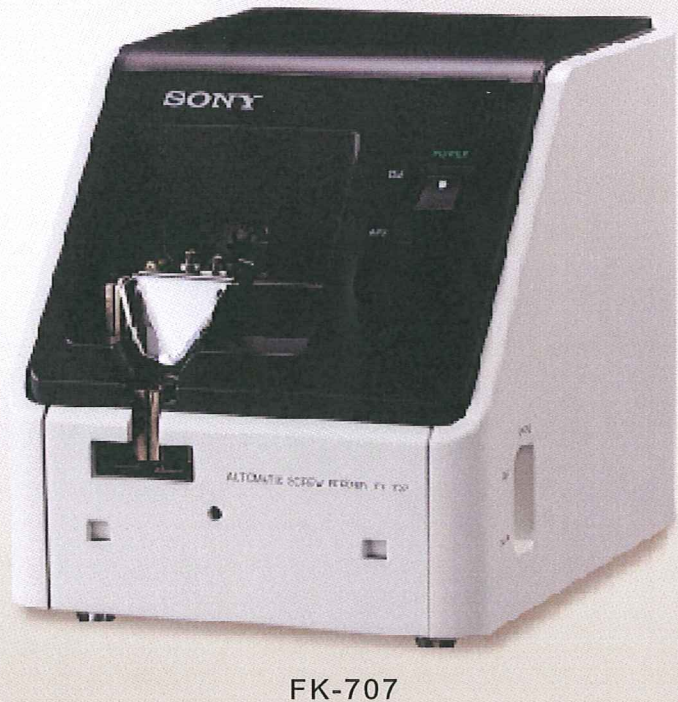
(Fixed rail width)

FK-707

(Changeable rail width)

The best suited automatic screw feeder
for the trend of miniaturization in the field of screws.

FK-505 Series



FEEDKIDS

FK-505 Series (Fixed rail width)

- Supporting many screw and rail variations
- Applicable screw head shapes

FK-505: standard screw

FK-505F: flat head screw

FK-505RS: robot-compatible

FK-505 & FK-707 are based on RoHS. All materials are applying to green partner materials.

FK-707 Series (Changeable rail width)

- Applicable screw size from M1.4 to M5.0mm
- Smoothly supply the screw of different size, weight by the vibration speed adjustment function.



Sony Manufacturing Systems Corporation

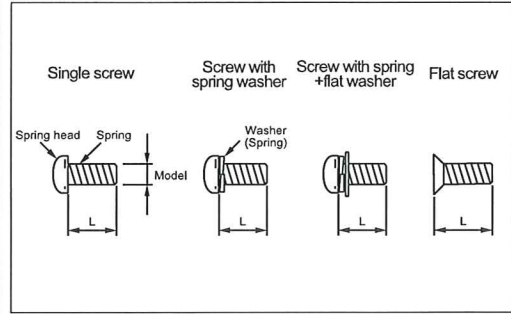
■ Model line up

Fixed rail width type

Model	Screw nominal diameter	Screw length(mm)				Maximum length
		Minimum length(mm)			Maximum length	
		Single screw	Screw with spring washer	Screw with spring +flat washer		
FK-505 Standard screw	FK-514	M1.4	1.4	-	-	18.0
	FK-517	M1.7	1.6	-	-	
	FK-520	M2.0	1.8	3.0	5.0	
	FK-523	M2.3	2.5	4.0	5.0	
	FK-526	M2.6	2.8	4.0	6.0	
	FK-530	M3.0	3.0	4.0	6.0	
	FK-535	M3.5	3.5	6.8	8.0	
	FK-540	M4.0	4.0	6.8	8.0	
	FK-550	M5.0	5.0	8.0	10.0	
FK-505F Flat screw only	FK-514F	M1.4	1.4	-	-	18.0
	FK-517F	M1.7	1.6	-	-	
	FK-520F	M2.0	1.8	-	-	
	FK-523F	M2.3	2.5	-	-	
	FK-526F	M2.6	2.8	-	-	
	FK-530F	M3.0	3.0	-	-	
	FK-535F	M3.5	3.5	-	-	
	FK-540F	M4.0	4.0	-	-	
	FK-550F	M5.0	5.0	-	-	
FK-505RS Automatic only	FK-514RS	M1.4	1.4	-	-	18.0
	FK-517RS	M1.7	1.6	-	-	
	FK-520RS	M2.0	1.8	3.0	5.0	
	FK-523RS	M2.3	2.5	4.0	5.0	
	FK-526RS	M2.6	2.8	4.0	6.0	
	FK-530RS	M3.0	3.0	4.0	6.0	
	FK-535RS	M3.5	3.5	6.8	8.0	
	FK-540RS	M4.0	4.0	6.8	8.0	
	FK-550RS	M5.0	5.0	8.0	10.0	

Changeable rail width type

Model	Screw nominal diameter	Screw length(mm)				Maximum length
		Minimum length(mm)			Maximum length	
		Single screw	Screw with spring washer	Screw with spring +flat washer		
FK-707 Standard screw	M1.4	1.4	-	-	18.0	
	M1.7	1.6	-	-		
	M2.0	1.8	3.0	5.0		
	M2.3	2.5	4.0	5.0		
	M2.6	2.8	4.0	6.0		
	M3.0	3.0	4.0	6.0		
	M3.5	3.5	6.8	8.0		
	M4.0	4.0	6.8	8.0		
	M5.0	5.0	8.0	10.0		



■ Available screw model

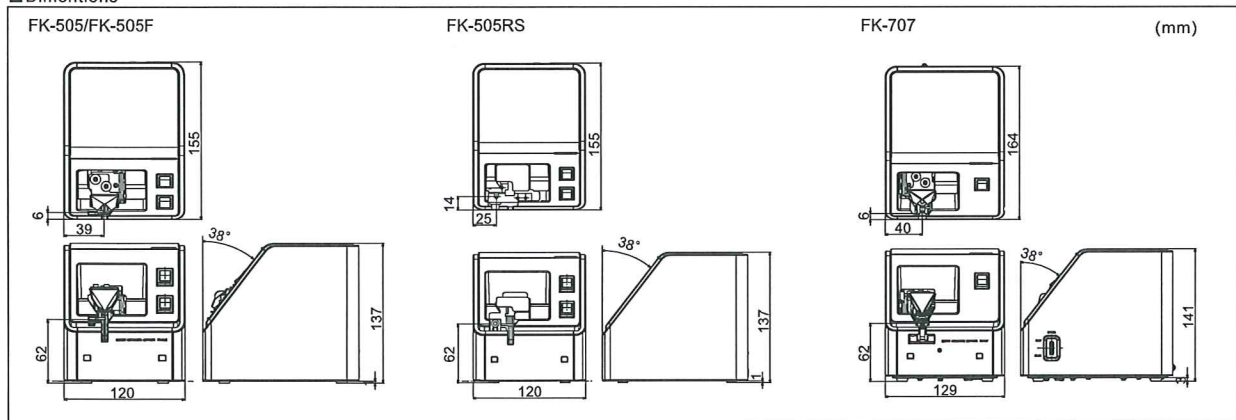
Model	FK-505 Series	FK-707
Shape of screw	9 rail variations	Changeable(M1.4~M5.0mm)
Shape of screw nails (+ shaped screw top)	M type screw, Tapping screw JCS:1,2,3, and pan-head JIS:Pan-head, button, truss, round, flat,WH, w/t spring washer, w/t spring washer and flat *FK-505F : pan-head only	
Material	Ferrum, or material attaching to magnet	

※Caution: Please note no correspondence to screw head tickness 0.5mm or less, special screw such as Nairocc, and the screw other than the above-mentioned.

■ Specifications

	FK-505 Series	FK-707
Input Voltage	DC12V 200mA	DC12V 500mA
AC adaptor (MPA-AC1)	AC100-240V 15VA 50/60Hz	AC100-240V 24VA 50/60Hz
DC plug	AC cable (accessory): for 100V, type A	
Outside dimensions	120(W)x155(D)x138(H)mm	129(W)x164(D)x142(H)mm
Mass(Main unit only)	FK-505/505F 1.1Kg FK-505RS 1.15Kg	1.8Kg
Continuous screw supply speed	Approx. 1.5 sec per one screw (+PM3.0x8)	-
Screw transfer method	Inclined rail type	Straight feeder type
Working environment	+10~+30°C(no condensation), D12	
Storage temperature	-10~+50°C(no condensation)	
Noise level	66dB	73dB
Pollution level	Level2	
Operating Environment	Indoor use only	

■ Dimensions



Sony Manufacturing Systems Corporation

Sony Manufacturing Systems Corporation
International Sales Dept.
1-10 Kyokko-cho, Kizu-shi, Saitama-ken, 345-0035 Japan
Tel: +81-480-23-4856 Fax: +81-480-23-1425
http://www.sonymss.com.jp

Sony Taiwan Limited
FA Marketing Group
6F, 145 Changshun Road Taipei 104, Taiwan
Tel: +886-2-2522-8760 Fax: +886-2-2522-2336
http://www.sony.com.tw/company/family/FAFA.asp

http://www.sonymss.com.jp/

The contents of this literature are as of Dec. 2006

Sony Manufacturing Systems America, Inc.
20381 Hemana Circle, Lake Forest, CA 92630
Tel: +1-949-770-8400 Fax: +1-949-770-8408 http://www.sonymss.com

Sony Manufacturing Systems Europe
Headquarters
Semiconductor & Electronic Solutions A division of Sony United Kingdom Ltd.
The Heights, Brooklands, Weybridge, Surrey KT13 0XW, UK
Tel: +44-207-7390122 Fax: +44-1932-817024
Stuttgart Office
Hedelinger Strasse 81, D-70327 Stuttgart, Germany
Tel: +49-711-5858-777 Fax: +49-711-58 07 15
http://www.sonymmanufacturing.com

vtc
VEGA TOOL CORPORATION
http://www.vega-tool.com
800-228-2969